












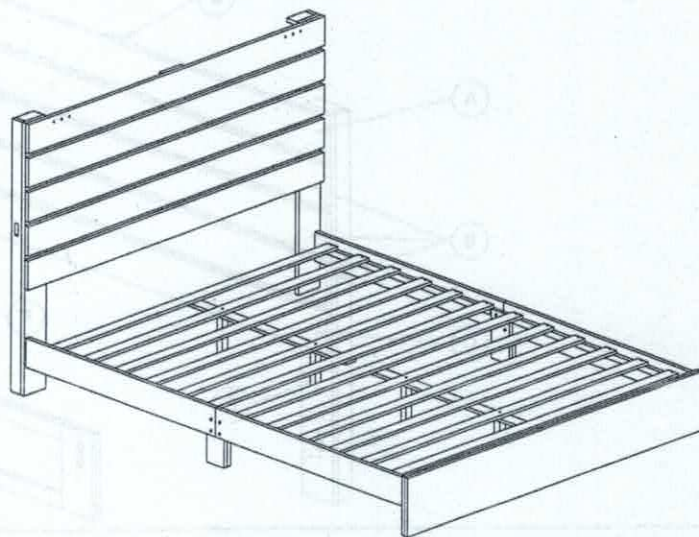




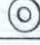
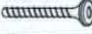




# ASSEMBLY INSTRUCTION INSTRUCTIONS D'ASSEMBLAGE

MODEL / MODELE: C8359A-QCB // C8359A-FCB // C8389A-QCB // C8389A-FCB  
 QUEEN BED / GRAND LIT // FULL BED / LIT A DEUX PLACES  
 HEADBOARD, FOOTBOARD, SIDE RAIL & SLAT /  
 TETE, PIED, LONGERON & LATTES DE

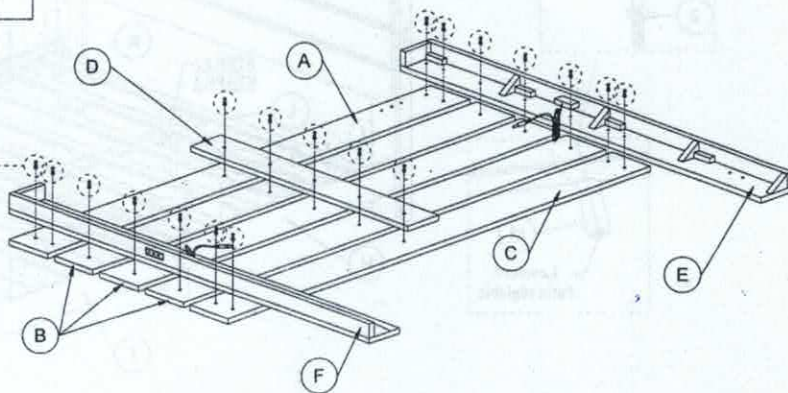
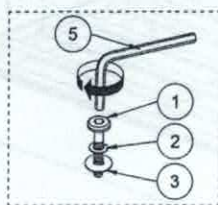
PARTS IDENTIFICATION / IDENTIFICATION DE PIÈCES		
A.		HEADBOARD TOP / TÊTE DE LIT HAUT 1 PC / 1 PCE
B.		HEADBOARD CENTER / TÊTE DE LIT CENTRE 3 PCS / 3 PCES
C.		HEADBOARD LOWER / TÊTE DE LIT PLUS BAS 1 PC / 1 PCE
D.		HEADBOARD BACK SUPPORT / SUPPORT DE DOSSIER TÊTE DE LIT 1 PC / 1 PCE
E.		HEADBOARD LEG - LEFT / PIED DE TDL - GAUCHE 1 PC / 1 PCE
F.		HEADBOARD LEG - RIGHT / PIED DE TDL - DROIT 1 PC / 1 PCE
G.		FOOTBOARD / PIED DE LIT 1 PC / 1 PCE
H.		SIDE RAIL - LEFT / LONGERON - GAUCHE 2 PCS / 2 PCES
I.		SIDE RAIL - RIGHT / LONGERON - DROIT 2 PCS / 2 PCES
J.		SIDE RAIL SUPPORT LEG / PIED DE LONGERON 2 PCS / 2 PCES
K.		SLAT / LATTE DE 12 PCS / 12 PCES
L.		MIDDLE SLAT / LATTE DU MILIEU 2 PCS / 2 PCES
M.		SLAT SUPPORT / SOUTIEN DE LATTE 4 PCS / 4 PCES



## COMPLETE ASSEMBLY / ASSEMBLAGE TERMINE

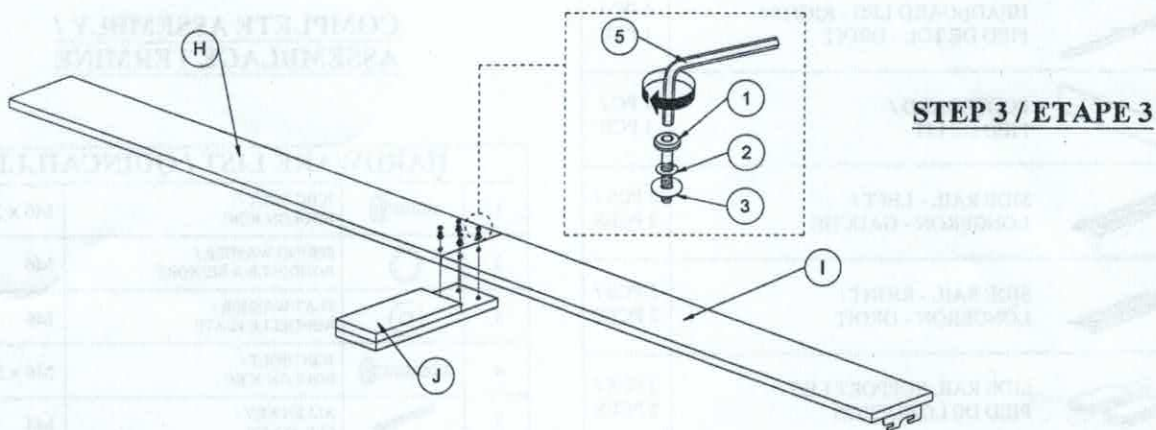
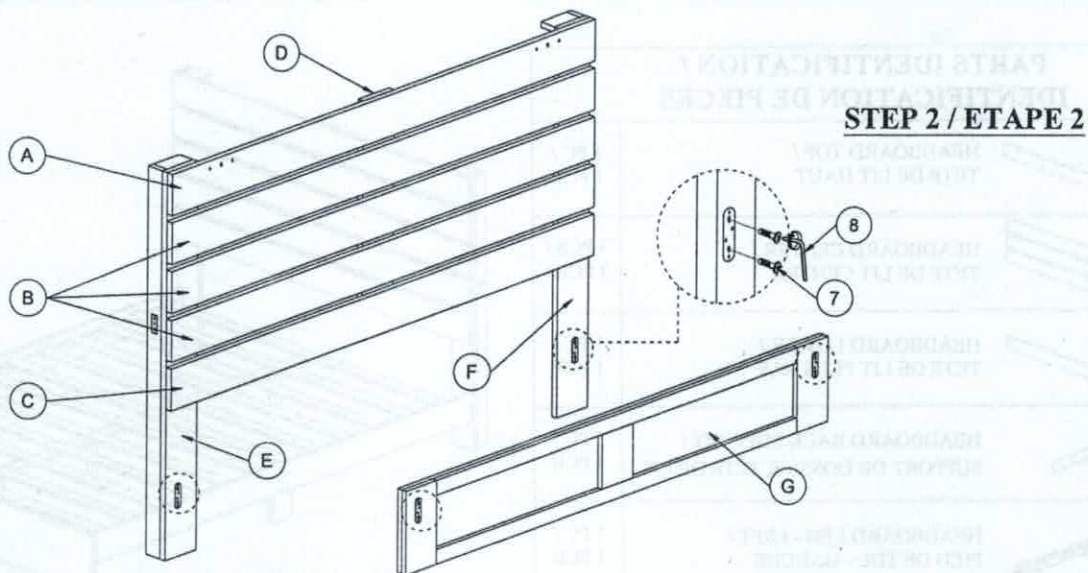
HARDWARE LIST / QUINCAILLERIE				
1.		JCBC BOLT / BOULON JCBC	M6 x 35mm	27 PCS / 27 PCES
2.		SPRING WASHER / RONDELLE A RESSORT	M6	31 PCS / 31 PCES
3.		FLAT WASHER / RONDELLE PLATE	M6	27 PCS / 27 PCES
4.		JCBC BOLT / BOULON JCBC	M6 x 50mm	4 PCS / 4 PCES
5.		ALLEN KEY / CLE ALLEN	M4	1 PC / 1 PCE
6.		SCREW / VIS	M4 x 32mm	24 PCS / 24 PCES
7.		JCBB BOLT / BOULON JCBB	M8 x 16mm	8 PCS / 8 PCES
8.		ALLEN KEY / CLE ALLEN	M5	1 PC / 1 PCE

### STEP 1 / ETAPE 1

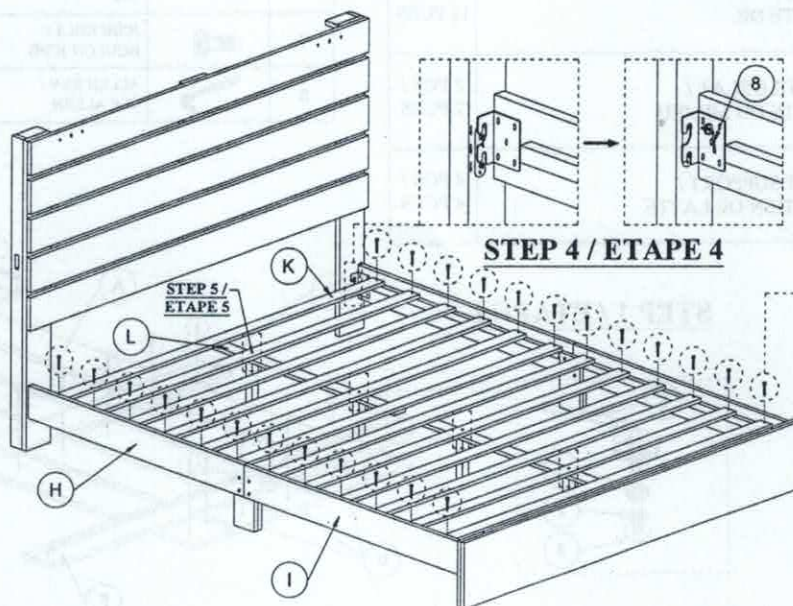
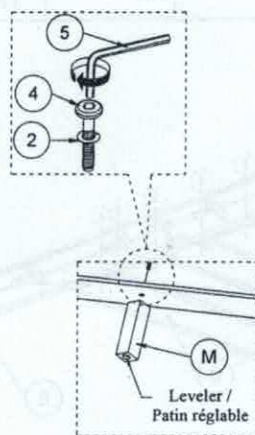


# ASSEMBLY INSTRUCTION INSTRUCTIONS D'ASSEMBLAGE

MODEL / MODELE: C8359A-QCB // C8359A-FCB // C8389A-QCB // C8389A-FCB  
 QUEEN BED / GRAND LIT // FULL BED / LIT A DEUX PLACES  
 HEADBOARD, FOOTBOARD, SIDE RAIL & SLAT /  
 TETE, PIED, LONGERON & LATTES DE



## STEP 5 / ETAPE 5




NOTE: MUST TIGHTEN SCREWS PERIODICALLY WITH USE SCREW WILL BECOME LOOSE CHECK TIGHTNESS OF ALL SCREW EVERY 6-8 WEEK. /  
 REMARQUE : RESERRER LES VIS REGULIEREMENT. A L'USAGE, LES VIS SE DESERRENT. VERIFIER QUE LES VIS SOIENT SERREES TOUTES LES 6-8 SEMAINES.







# ASSEMBLY INSTRUCTION INSTRUCTIONS D'ASSEMBLAGE

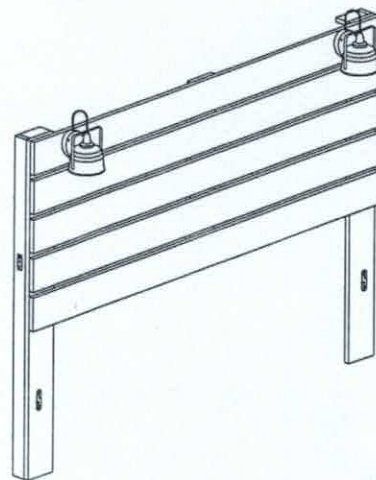
MODEL / MODELE: C8359A-QCB // C8359A-FCB // C8389A-QCB // C8389A-FCB  
 QUEEN BED / GRAND LIT // FULL BED / LIT A DEUX PLACES  
 HEADBOARD, FOOTBOARD, SIDE RAIL & SLAT /  
 TETE, PIED, LONGERON & LATTES DE

## PARTS IDENTIFICATION / IDENTIFICATION DE PIECES

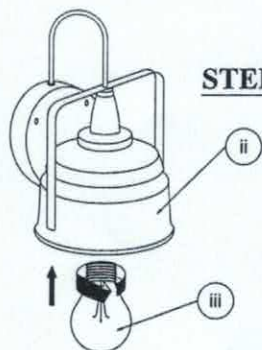
K.		HEADBOARD / TETE DE LIT	1 PC / 1 PCE
----	---	----------------------------	-----------------

## HARDWARE LIST / QUINCAILLERIE

i.		JCBC BOLT / BOULON JCBC	M6 x 40mm	4 PCS / 4 PCES
ii.		LAMPS / LES LAMPES	-	2 PCS / 2 PCES
iii.		BULB / AMPOULE	-	2 PCS / 2 PCES
iv.		FORKED LINE / LIGNE FOURCHE	-	1 PC / 1 PCE
v.		ADAPTER / ADAPTATEUR D'ALIMENTATION	-	1 PC / 1 PCE
vi.		ALLEN KEY / CLE ALLEN	M4	1 PC / 1 PCE

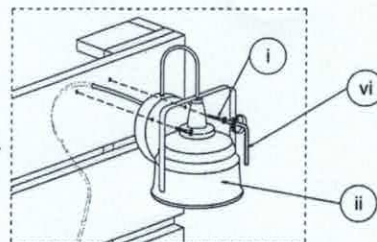


## COMPLETE ASSEMBLY / ASSEMBLAGE TERMINE

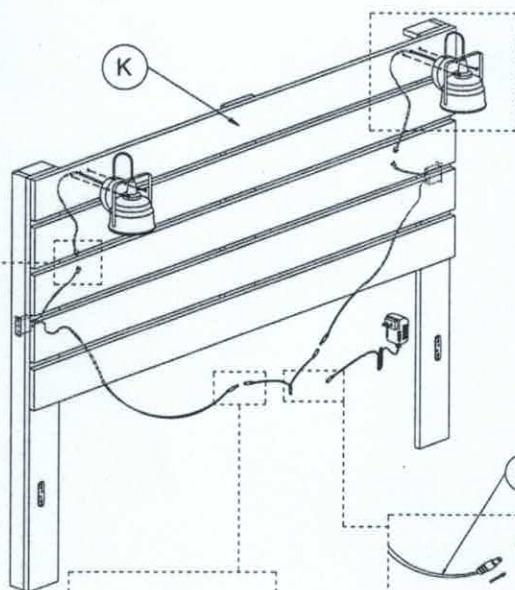
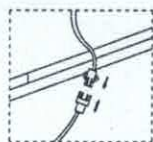


### STEP 1 / ETAPE 1

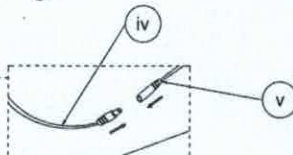
### STEP 2 / ETAPE 2



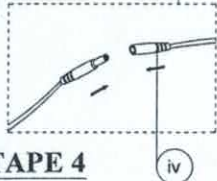
### STEP 3 / ETAPE 3



### STEP 5 / ETAPE 5



### STEP 4 / ETAPE 4



NOTE: MUST TIGHTEN SCREWS PERIODICALLY WITH USE SCREW WILL BECOME LOOSE CHECK TIGHTNESS OF ALL SCREW EVERY 6-8 WEEK. /  
 REMARQUE : RESERRER LES VIS REGULIEREMENT. A L'USAGE, LES VIS SE DESERRENT. VERIFIER QUE LES VIS SOIENT SERREES TOUTES LES 6-8 SEMAINES.